



High Voltage Live-line Capacitors 12KV 24KV 36KV System Voltages



DONGGUAN AMAZING ELECTRONIC CO., LTD. focus on the high voltage capacitor field since 2001, with over 20 patents. This series capacitors are widely used in Medium Power Transmission Systems as live-line indication capacitors on 12kV, 24kV & 36kV system voltage lines.

High Voltage Live-line Capacitors 12KV 24KV 36KV System Voltages

Features	Applications
<ul style="list-style-type: none"> ■ Low dissipation factor of 0.2% at 1 KHZ ■ High frequency $\geq 550\text{KHZ}$ ■ High current $\geq 50\text{mA}$ ■ High voltage ≥ 2 times ■ High insulation resistance $\geq 200000\text{M}\Omega$ ■ Long life ≥ 10 years 	<ul style="list-style-type: none"> ■ Live-Line display ■ Capacitor insulator ■ SF1 breakers ■ Vacuum breakers ■ Lightning arrester

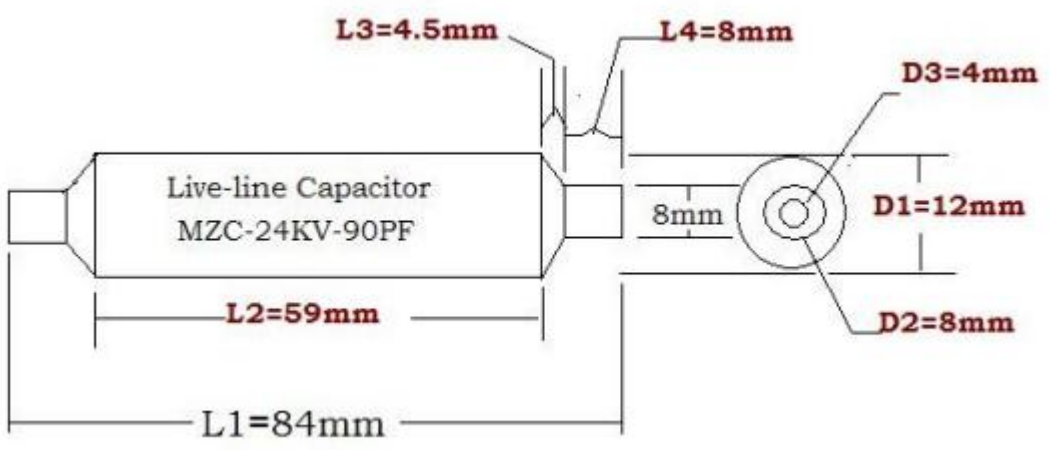
MZCT86B12KV150PF-Axial Lead Type

Electrical Characteristics								
Capacitance (PF)	TYPE	Working Voltage (KVDC)	TOL (%)	Withstand Voltage (KVDC)	D (mm)	L1 (mm)	L2(mm) Include screws	Thread Size (mm)
MZCT86B12KV150PF	12KV LEAD TYPE	12	15	48	13.5	29	Axial Lead	M4

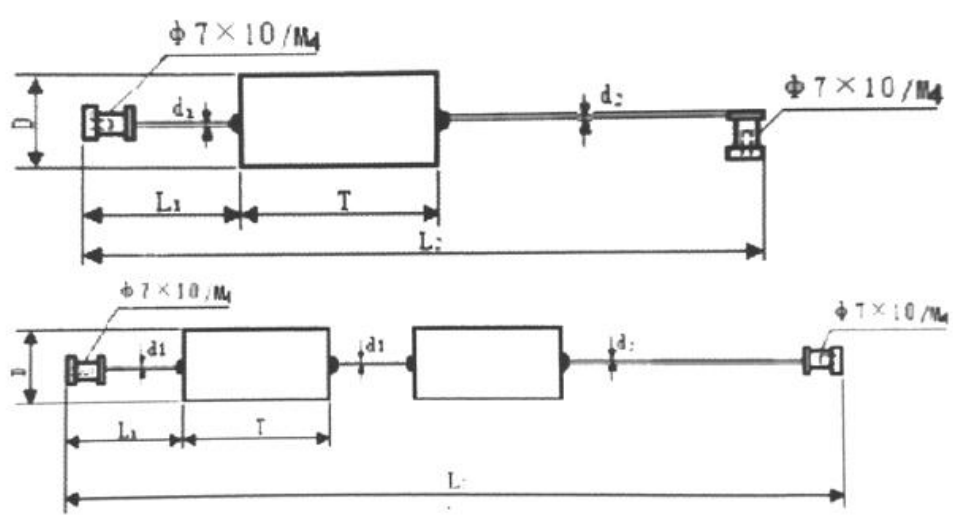
Note: Can provide customization

High Voltage Live-line Capacitors 12KV 24KV 36KV System Voltages

TYPE A

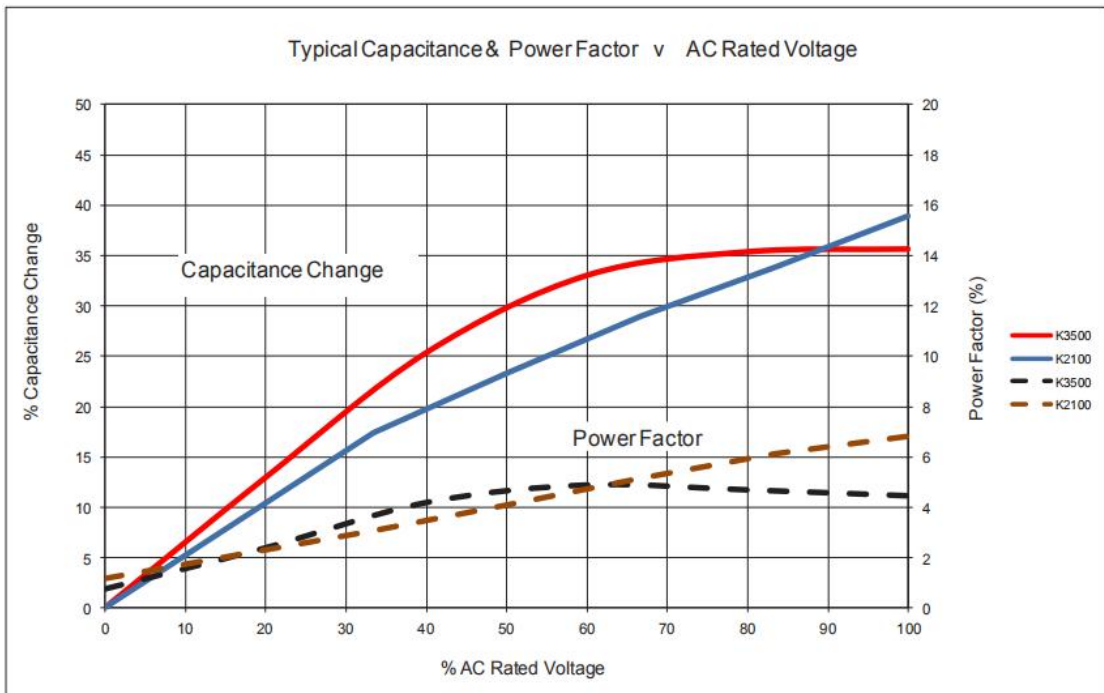
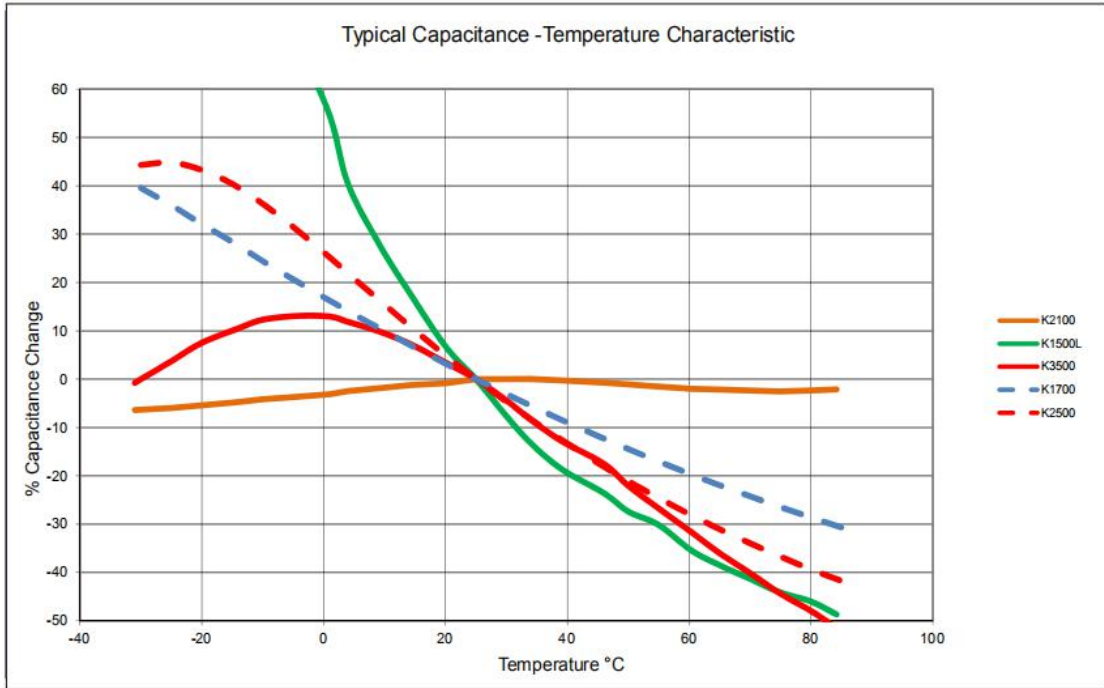


TYPE B



Ceramic Dielectric Properties

Ceramic Dielectric	Operating Temperature Range(°C)	Insulation Resistance (\cong M Ω)	Dissipation Factor \cong	Temperature Characteristics
Y5T (D)	-25~+85°C	100000	0.50%	-0.11



Notes:**(1) During transportation and storage**

- Do not transport or store where the capacitor will be exposed to high temperature or high humidity.
- Do not expose to poisonous gases such as H_2SO_4 , HCL or HNO_3 .
- Avoid excessive impact such as that caused by falling.

(2) During operation

- Avoid contact with electrolytes such as perspiration. Do not touch with bare hands.
- Avoid excessive impact such as that caused by falling.
- Do not apply solder to stud terminals.
- Do not re-machine the terminals.

(3) Usage

- When the capacitor is used for high-speed pulses such as with a laser, make sure that the impressed voltage (peak-to-peak volt-age) is within the capacitor's rated specifications.
- Make sure that the capacitor is not exposed to radiant heat.